

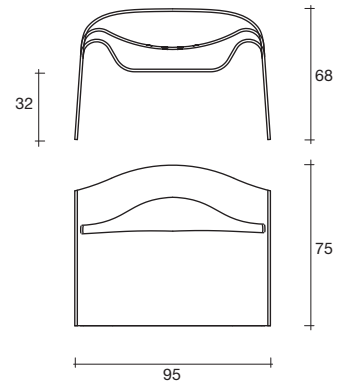


# ghost

modello registrato  
registered model

DESIGN  
CINI BOERI

portata sul piano: 150 kg  
total load capacity: 150 kg



Poltrona monolitica  
in vetro curvato da 12 mm.

*Monolithic chair in 12 mm-thick curved  
glass.*

dimensioni L, P, H  
dimensions L, W, H  
(cm)

COD./CODE

L

P/W

H

peso netto  
net weight  
(kg)

peso lordo  
gross weight  
(kg)

volume imballo  
package volume  
(m<sup>3</sup>)

Poltrona monolitica  
in vetro curvato da 12 mm.

*Monolithic chair in 12 mm thick curved glass.*

**02**

95

75

68

36

64

0,75